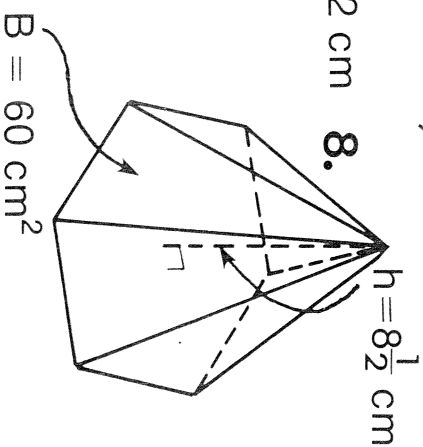
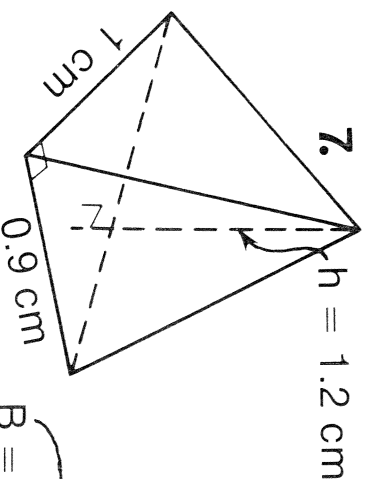
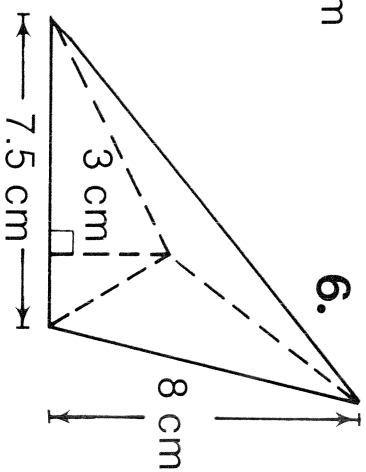
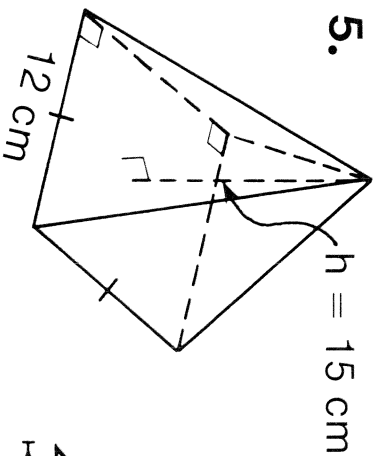
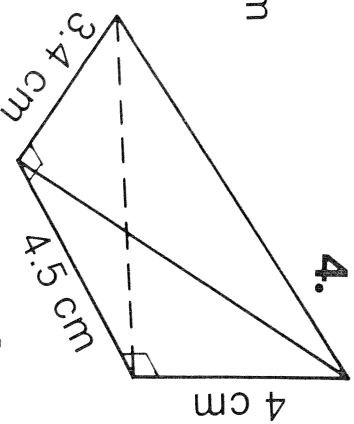
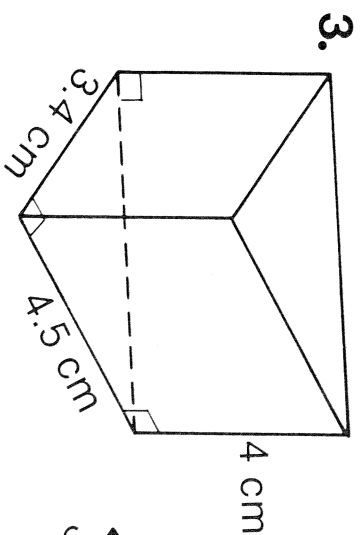
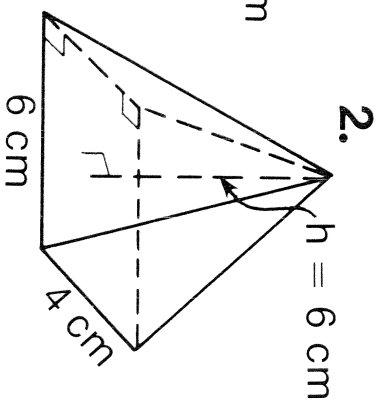
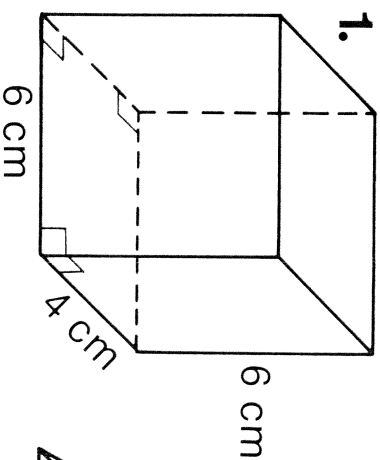


What Should You Call A Man With A Clamp?

TO ANSWER THIS QUESTION: Find the VOLUME of each prism or pyramid and circle your answers in the answer list. When you finish, arrange the letters in order from the letter of the smallest correct answer to the letter of the largest correct answer. Write the letters in this order in the boxes at the bottom of the page.



- (R) 810 cm³
- (S) 30.6 cm³
- (G) 144 cm³

- (N) 3.38 cm³
- (A) 0.18 cm³
- (Y) 720 cm³

- (E) 48 cm³
- (T) 700 cm³
- (H) 160 cm³

- (V) 10.2 cm³
- (E) 124 cm³
- (I) 30 cm³

- (M) 0.15 cm³
- (U) 170 cm³
- (T) 38 cm³

LETTER OF SMALLEST
CORRECT ANSWER



--	--	--	--	--	--	--	--



LETTER OF LARGEST
CORRECT ANSWER